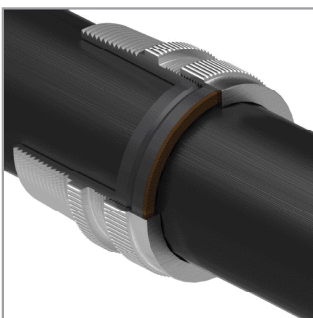
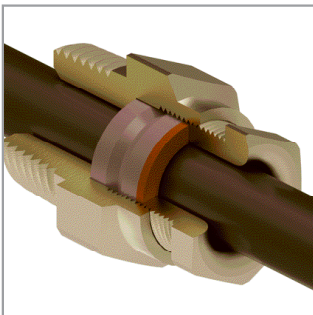


Un-Armored Industrial Gland

409NP & 494AG series



The best industrial brass gland for unarmored cables.

Features and benefits:

- For circular, unarmored plastic or rubber sheathed cables
- Large sealing range
- Approved to EN 50262, IEC 62444

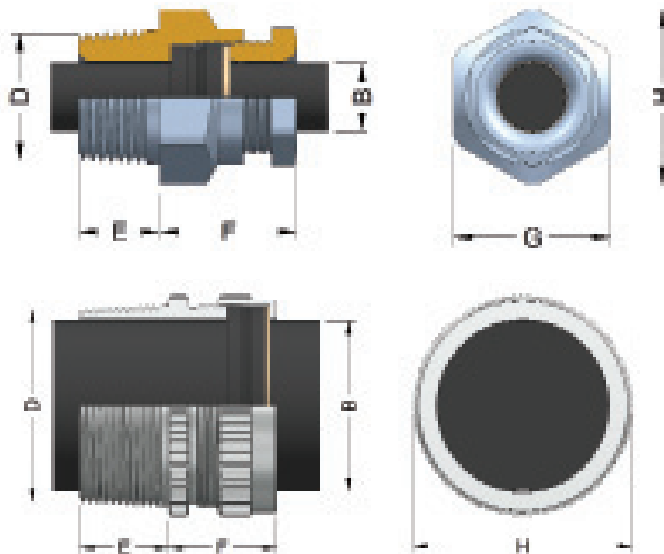


Technical Information:

- Nickel plated brass and aluminium designs
- Suitable for most climatic conditions, weatherproof and waterproof
- 409NP**V – Brass construction with bright autocatalytic nickel coating
- 494AG**V – 6082T6 aluminum construction
- For use in most climatic conditions, rated to IP66 for wet locations

Specifications

Gland Reference		Cable Dimensions Accommodated			Gland Dimensions			Weight
Design Reference	Hub Size NPT (D)	Overall Jacket Dia. (B)		Hub Length (E)	Protrusion Length (F)	Hexagon		lbs
		Min	Max			A/F (G)	A/C (H)	
409NP-04V	½"	0.315"	0.453"	0.535"	0.87"	0.87"	0.98"	0.19
409NP-08V	¾"	0.433"	0.531"	0.547"	0.87"	0.94"	1.06"	0.19
409NP-14V	1"	0.512"	0.768"	0.689"	0.98"	1.20"	1.34"	0.44
409NP-20V	1¼"	0.748"	1.004"	0.709"	0.98"	1.67"	1.89"	0.76
409NP-27V	1½"	0.984"	1.260"	0.728"	1.30"	1.86"	2.11"	0.63
409NP-31V	2"	1.240"	1.457"	0.768"	1.18"	2.17"	2.36"	0.65
409NP-32V	2"	1.437"	1.693"	0.768"	1.18"	2.22"	2.42"	0.78
409NP-37V	2½"	1.673"	1.969"	0.591"	1.34"	2.76"	3.04"	1.62
409NP-38V	2½"	1.949"	2.165"	1.142"	1.26"	2.95"	3.27"	1.68
409NP-44V	3"	2.146"	2.402"	1.201"	1.26"	3.15"	3.44"	3.57
409NP-45V	3"	2.382"	2.638"	1.201"	1.57"	3.35"	3.74"	3.72
494AG-09V	3"	2.461"	3.071"	1.772"	2.13"	3.90"	4.29"	0.97
494AG-10V	3½"	2.677"	3.465"	1.811"	2.09"	Ø 4.47"	Ø 4.47"	1.21
494AG-11V	4"	3.465"	3.898"	1.850"	2.17"	Ø 4.94"	Ø 4.94"	1.63
494AG-12V	5"	3.898"	4.449"	1.969"	2.24"	Ø 5.94"	Ø 5.94"	3.11
494AG-13V	5"	4.449"	5.039"	1.969"	3.23"	Ø 6.91"	Ø 6.91"	3.80



Prysmian Cables & Systems Limited,
Oak Road, Wrexham Industrial Estate, Wrexham, LL13 9PH, UK

Commercial Enquiries,
Sales Office Tel: 0845 767 8345,
International Sales Office Tel: +44 2380 295481

www.biconcomponents.co.uk