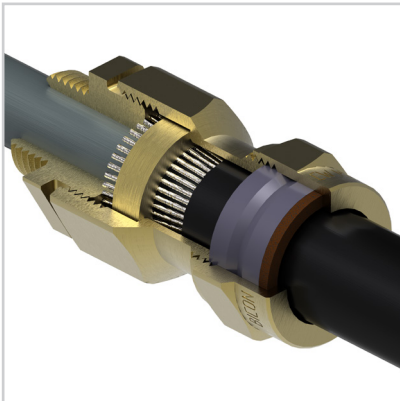


CW-B LSOH Gland Kit (Long Entry Thread)

KV419-B Series



The CW gland features a 3 part armour lock for simple inspection and armour continuity.

Features and benefits:

- Indoor & outdoor type for LSOH SWA cable
- 15mm entry threads to facilitate extra seals/lock washers
- Brass indoor & outdoor gland and LSOH accessories
- For galvanized-steel single-wire armour, plastic or rubber LSOH sheathed cables
- Suitable for most climatic conditions, weatherproof and waterproof
- Three part armour lock with separate armour locking ring, ideal for checking electrical continuity

Kit comprises

CW(B) (LSOH) Gland
Brass Earth Tag
Brass Locknut
LSOH Shroud

(2 per kit up to and including 25mm size)

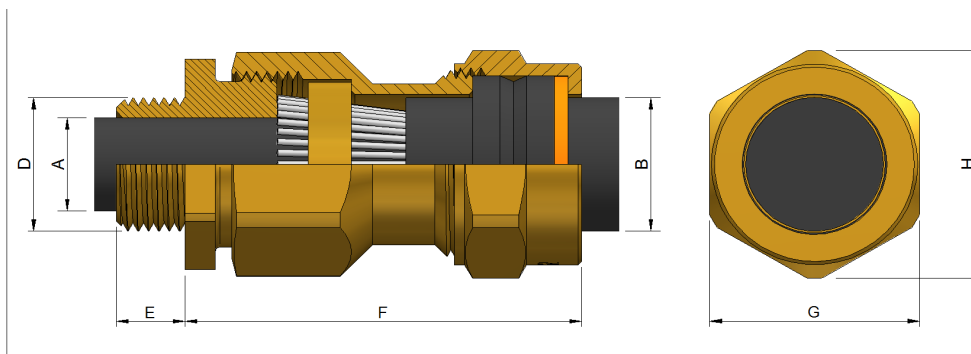


Technical Information:

- Suitable for use with all steel wire armoured cables inc: BS 6724 , BS 8519 , BS 7846 , BS 6387 , BS 7835
- CuZn39Pb3 brass alloy used for guaranteed strength and performance
- Complies with BS EN 50262 & BS 6121-1: 1989
- Gland rated to IP66 with use of suitable sealing washer or thread sealant at gland interface
- Service temperature range -20°C to + 90°C
- Complies with LU Standard 1-085 for installation in all sub-surface locations

Specifications:

Gland Kit Reference			Cable Dimensions mm				Gland Dimensions mm				
Design Reference	Size	Qty per Kit	Under Armour Max \varnothing (A)	Overall \varnothing (B)		Armour Wire \varnothing	Entry Thread (D)	Thread Length (E)	Protrusion Length (F)	Hexagon	
				Min	Max					G	I
KV419-B81	16	2	8.6	8.0	13.2	0.9	M16x1.5	15	44	20.8	23.8
KV419-B91	20SS	2	8.6	8.0	13.2	0.9	M20x1.5	15	44	23.4	26.7
KV419-B82	20S	2	11.6	8.0	15.8	0.9	M20x1.5	15	46	25.7	29.2
KV419-B83	20	2	13.9	12.5	20.8	0.9/1.25	M20x1.5	15	46	30.5	34
KV419-B85	25	2	19.9	17.0	27.2	1.25/1.6	M25x1.5	15	51	37.6	42.2
KV419-B86	32	1	26.2	23.5	33.5	1.6/2.0	M32x1.5	15	56	47.3	53.6



Prysmian Cables & Systems Limited,
Oak Road, Wrexham Industrial Estate, Wrexham, LL13 9PH, UK

Commercial Enquiries,
Sales Office Tel: 0845 767 8345,
International Sales Office Tel: +44 2380 295481

www.biconcomponents.co.uk

