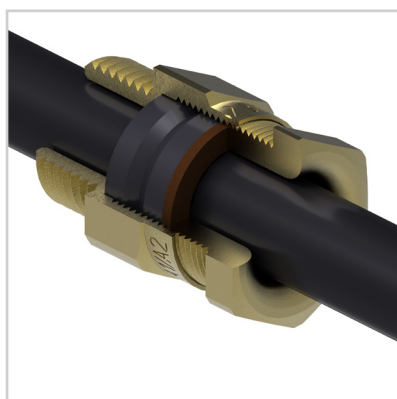


A1/A2 Gland Kit KM409 Series



The best industrial brass gland for unarmoured cables.

Features and benefits:

- Indoor & Outdoor type for unarmoured cable
- Brass indoor and outdoor gland and accessories
- For circular, unarmoured plastic or rubber sheathed cables
- Suitable for most climatic conditions, weatherproof and waterproof

Kit comprises

A1/A2 Gland
Brass Locknut
PVC Shroud
(2 per kit up to and including 25mm size)



Technical Information:

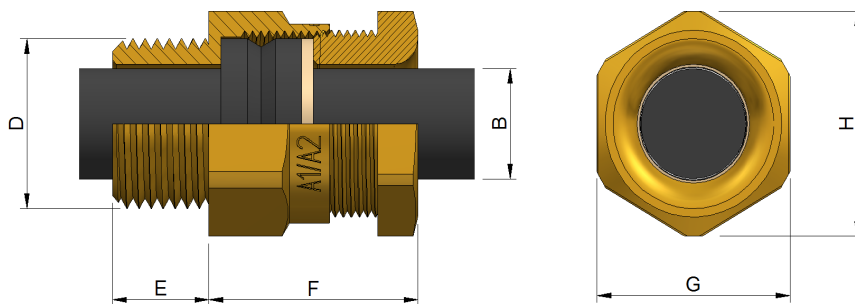
- Suitable for use with all unarmoured cables
- CuZn39Pb3 brass alloy used for guaranteed strength and performance
- Complies with BS EN 62444: 2013 & BS 6121-1: 1989
- Service temperature range -20°C to + 90°C
- Gland rated to IP66 with use of suitable sealing washer or thread sealant at gland interface
- Metric & NPT Nickel Plated versions available

Specifications

Gland Kit Reference				Cable Dimensions mm			Gland Dimensions mm				
Design Reference		Size		Qty per Kit	Cable Diameter ϕ (B)		Entry Thread (D)	Thread Length (E)	Protrusion Length (F)	Hexagon	
Standard	Nickel plated	Metric	NPT		Min	Max				A/F (G)	A/C (H)
KM409-51	KM409-51V	16		2	3.5	8.5	M16x1.5	10.0	20	19	21.5
KM409-71	KM409-71V	20ss		2	3.5	8.5	M20x1.5	10.0	20	22	24.9
KM409-52	KM409-52V	20s		2	8.0	11.5	M20x1.5	10.0	22	22	24.9
KM409-53	KM409-53V	20		2	11.0	13.5	M20x1.5	10.0	22	24	27
KM409-55	KM409-55V	25		2	13.0	19.5	M25x1.5	10.0	25	30.5	34
KM409-56	KM409-56V	32		1	19.0	25.5	M32x1.5	10.0	25	42.4	48
KM409-57	KM409-57V	40		1	25.0	32.0	M40x1.5	15.0	33	47.2	53.6
KM409-58	KM409-58V	50s		1	31.5	37.0	M50x1.5	15.0	30	55	60
KM409-59	KM409-59V	50		1	36.5	43.0	M50x1.5	15.0	30	56.4	61.5
KM409-60	KM409-60V	63s		1	42.5	50.0	M63x1.5	15.0	34	70.1	77.2
KM409-61	KM409-61V	63		1	49.5	55.0	M63x1.5	15.0	32	75	83
KM409-62	KM409-62V	75s		1	54.5	61.0	M75x1.5	15.0	32	80	87.4
KM409-63	KM409-63V	75		1	60.5	67.0	M75x1.5	15.0	40	85	95
KP409-65	KP409-65V	90		1	65.0	78.0	M90x2.0	20.0	45	106	117
KP409-66	KP409-66V	100		1	75.0	88.0	M100x2.0	20.0	45	115	126
KP409-67	KP409-67V	110		1	75.0	99.0	M110x2.0	20.0	55	ϕ 132.0	
	409NP-04V		1/2"-20s	1	8.0	11.5	1/2" NPT	13.6	22	24.0	26.8
	409NP-08V		3/4"-20	1	11.0	13.5	3/4" NPT	13.9	22	30.5	34.0
	409NP-14V		1"-25	1	13.0	19.5	1" NPT	17.5	25	37.6	42.2
	409NP-20V		1 1/4"-32	1	19.0	25.5	1 1/4" NPT	18.0	25	46	51
	409NP-27V		1 1/2"-40	1	25.0	32.0	1 1/2" NPT	18.5	33	56.4	61.5
	409NP-31V		2"-50s	1	31.5	37.0	2" NPT	19.5	30	65.5	72.1
	409NP-32V		2"-50	1	36.5	43.0	2" NPT	19.5	30	65.5	72.1
	409NP-37V		2 1/2"-63S	1	42.5	50.0	2 1/2" NPT	32.5	34	80	87.4
	409NP-44V		3"-75S	1	54.5	61.0	3" NPT	33.5	32	98.8	109.2

*KP Kits contain only Gland & Locknut

**NPT threaded glands are supplied as glands only.



Prysmian Cables & Systems Limited,
Oak Road, Wrexham Industrial Estate, Wrexham, LL13 9PH, UK

Commercial Enquiries,
Sales Office Tel: 0845 767 8345,
International Sales Office Tel: +44 2380 295481

www.biconcomponents.co.uk