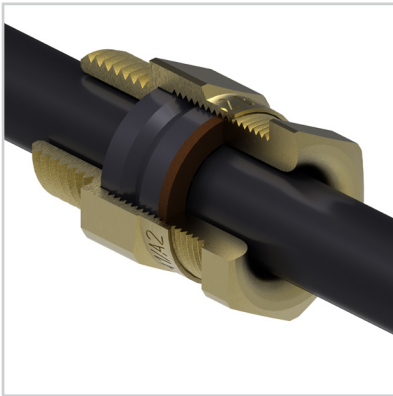


# A1/A2 Gland Kit

## KD409 Series



The best industrial brass gland for unarmoured cables.

### Features and benefits:

- Indoor & Outdoor type for unarmoured cable
- Brass indoor and outdoor gland and accessories
- For circular, unarmoured plastic or rubber sheathed cables
- Suitable for most climatic conditions, weatherproof and waterproof

#### Kit comprises

A1/A2 Gland  
Brass Locknut  
Nylon Sealing Washer  
PCP Shroud  
(2 per kit up to and including 25mm size)

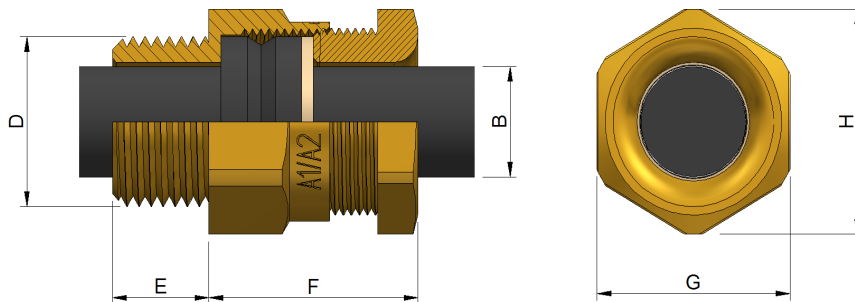


## Technical Information:

- Suitable for use with all unarmoured cables
- CuZn39Pb3 brass alloy used for guaranteed strength and performance
- Complies with BS EN 62444:2013 & BS 6121-1:1989
- Service temperature range -20°C to + 90°C
- Gland rated to IP66 with use of suitable sealing washer or thread sealant at gland interface
- Nickel Plated versions available

## Specifications

Gland Kit Reference		Cable Dimensions mm				Gland Dimensions mm				
Design Reference		Size	Qty per Kit	Cable Diameter $\varnothing$ (B)		Entry Thread (D)	Thread Length (E)	Protrusion Length (F)	Hexagon	
Standard	Nickel plated	Metric		Min	Max				A/F (G)	A/C (H)
KD409-51	KD409-51V	16	2	3.5	8.5	M16x1.5	10.0	20	19	21.5
KD409-71	KD409-71V	20ss	2	3.5	8.5	M20x1.5	10.0	20	22	24.9
KD409-52	KD409-52V	20s	2	8.0	11.5	M20x1.5	10.0	22	22	24.9
KD409-53	KD409-53V	20	2	11.0	13.5	M20x1.5	10.0	22	24	27
KD409-55	KD409-55V	25	2	13.0	19.5	M25x1.5	10.0	25	30.5	34
KD409-56	KD409-56V	32	1	19.0	25.5	M32x1.5	10.0	25	42.4	48
KD409-57	KD409-57V	40	1	25.0	32.0	M40x1.5	15.0	33	47.2	53.6
KD409-58	KD409-58V	50s	1	31.5	37.0	M50x1.5	15.0	30	55	60
KD409-59	KD409-59V	50	1	36.5	43.0	M50x1.5	15.0	30	56.4	61.5
KD409-60	KD409-60V	63s	1	42.5	50.0	M63x1.5	15.0	34	70.1	77.2
KD409-61	KD409-61V	63	1	49.5	55.0	M63x1.5	15.0	32	75	83
KD409-62	KD409-62V	75s	1	54.5	61.0	M75x1.5	15.0	32	80	87.4
KD409-63	KD409-63V	75	1	60.5	67.0	M75x1.5	15.0	40	85	95



**Prysmian Cables & Systems Limited,**  
Oak Road, Wrexham Industrial Estate, Wrexham, LL13 9PH, UK

**Commercial Enquiries,**  
Sales Office Tel: 0845 767 8345,  
International Sales Office Tel: +44 2380 295481

[www.biconcomponents.co.uk](http://www.biconcomponents.co.uk)