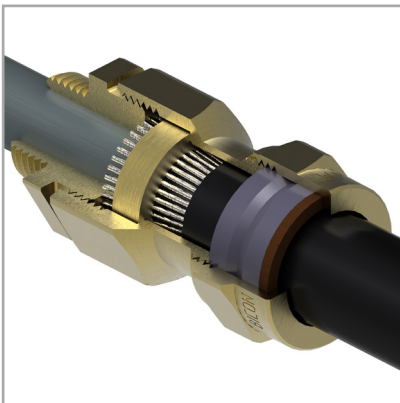


CW-B Gland Kit (Long Entry thread)

KA419-B Series



The CW gland features a 3 part armour lock for simple inspection and armour continuity.

Features and benefits:

- Indoor & outdoor type for SWA cable
- 15mm entry threads to facilitate extra seals/lock washers
- Brass indoor & outdoor gland accessories
- For galvanized-steel single-wire armour, plastic or rubber sheathed cables
- Three part armour lock with separate armour locking ring, ideal for checking electrical continuity
- Suitable for most climatic conditions, weatherproof and waterproof

Kit comprises

CW(B) Gland
Brass Earth Tag
Brass Locknut
PVC Shroud

(2 per kit up to and including 25mm size)

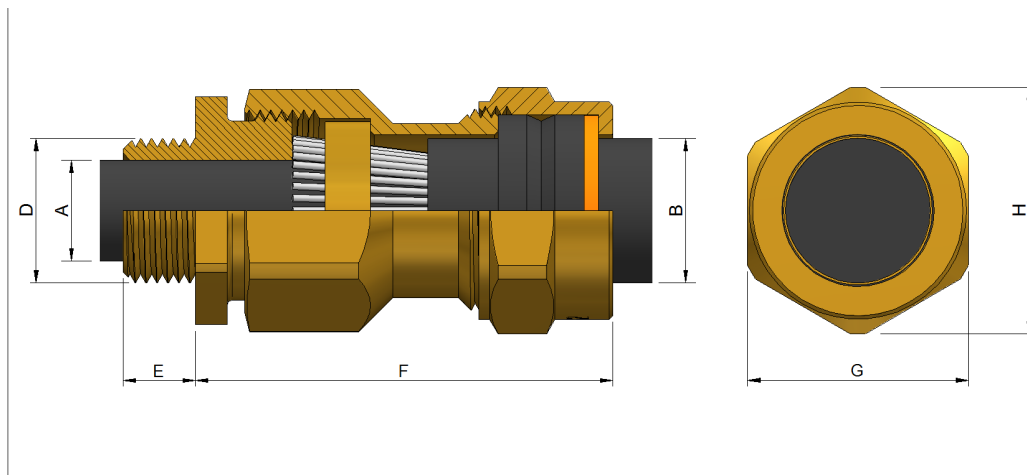


Technical Information:

- Suitable for use with all Steel Wire Armoured Cables inc: BS 5467 , BS 6622 , BS 5308
- CuZn39Pb3 brass alloy used for guaranteed strength and performance
- Complies with BS EN 62444:2013 & BS 6121-1: 1989
- Gland rated to IP66 with use of suitable sealing washer or thread sealant at gland interface
- Service temperature range -20°C to + 90°C

Specifications:

Gland Kit Reference			Cable Dimensions mm				Gland Dimensions mm				
Design Reference	Size	Qty per Kit	Under Armour Max Ø (A)	Overall Ø (B)		Armour Wire Ø	Entry Thread (D)	Thread Length (E)	Protrusion Length (F)	Hexagon	
				Min	Max					A/F (G)	A/C (H)
KA419-B81	16	2	8.6	8.0	13.2	0.9	M16×1.5	15	44	20.8	23.8
KA419-B91	20SS	2	8.6	8.0	13.2	0.9	M20×1.5	15	44	23.4	26.7
KA419-B82	20S	2	11.6	8.0	15.8	0.9	M20×1.5	15	46	25.7	29.2
KA419-B83	20	2	13.9	12.5	20.8	0.9/1.25	M20×1.5	15	46	30.5	34
KA419-B85	25	2	19.9	17.0	27.2	1.25/1.6	M25×1.5	15	51	37.6	42.2
KA419-B86	32	1	26.2	23.5	33.5	1.6/2.0	M32×1.5	15	56	47.3	53.6



Prysmian Cables & Systems Limited,
Oak Road, Wrexham Industrial Estate, Wrexham, LL13 9PH, UK

Commercial Enquiries,
Sales Office Tel: 0845 767 8345,
International Sales Office Tel: +44 2380 295481

www.biconcomponents.co.uk