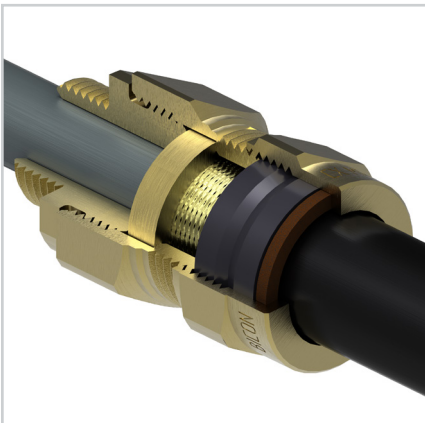


# CX-B Gland Kit (Long Entry Thread)

## KA414-B Series



The CX-B is an industrial cable gland for easy termination and inspection of braid wire armoured cables.

### Features and benefits:

- Indoor & outdoor type for Wire Braid Armour Cable
- 15mm Entry threads to facilitate extra seals/Lock washers
- Brass Indoor & outdoor gland and accessories
- For wire braid armour, plastic or rubber sheathed cables
- Suitable for most climatic conditions, weatherproof and waterproof
- Three part armour lock with separate armour locking ring, ideal for checking electrical continuity

#### Kit comprises

CX(B) Gland  
Brass earth tag  
Brass Locknut  
PCP Shroud  
(2 per kit up to and including 25mm size)

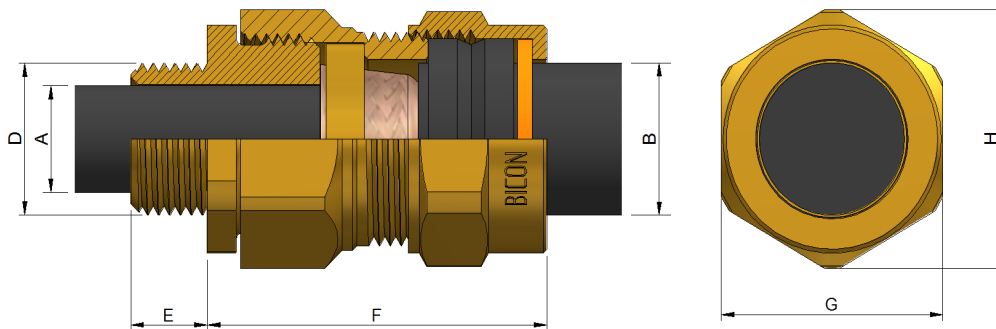


## Technical Information:

- Suitable for use with all Wire Braid Armoured Cables
- CuZn39Pb3 brass alloy used for guaranteed strength and performance
- Complies with BS EN 62444:2013 & BS 6121-1: 1989
- Gland rated to IP66 with use of suitable sealing washer or thread sealant at gland interface
- Service temperature range -20°C to + 90°C

## Specifications

Gland Kit Reference		Cable Dimensions mm					Gland Dimensions mm				
Design Reference	Size	Qty per Kit	Under Braid Max $\phi$ (A)	Overall $\phi$ (B)		Braid Armour Wire $\phi$	Entry Thread (D)	Thread Length (E) (E)	Protrusion Length (F) (F)	Hexagon	
				Min	Max					A/F (G)	A/C (H)
KA414-B81	16	2	8.6	8.0	13.2	0.2/0.3	M16x1.5	15	44	23.4	26.7
KA414-B91	20SS	2	8.6	8.0	13.2	0.2/0.3	M20x1.5	15	44	23.4	26.7
KA414-B82	20S	2	11.6	8.0	15.8	0.2/0.3	M20x1.5	15	46	25.7	29.2
KA414-B83	20	2	13.9	12.5	20.8	0.2/0.3	M20x1.5	15	56	30.5	34
KA414-B85	25	2	19.9	17.0	27.2	0.2/0.45	M25x1.5	15	51	37.6	42.2
KA414-B86	32	1	26.2	23.5	33.5	0.3/0.45	M32x1.5	15	56	47.3	53.6



**Prysmian Cables & Systems Limited,**  
Oak Road, Wrexham Industrial Estate, Wrexham, LL13 9PH, UK

**Commercial Enquiries,**  
Sales Office Tel: 0845 767 8345,  
International Sales Office Tel: +44 2380 295481

[www.biconcomponents.co.uk](http://www.biconcomponents.co.uk)