

**SEPARABLE TEE CONNECTOR (INTERFACE C/630A)**

For polymeric cables – Deadbreak operation – with mechanical conductor contact

**elascon****EC**REFERENCE: **MSCT/EC-630-C****UTILISATION**

- For connection of polymeric MV cables to transformers, switchgear units, motors, etc.
- Indoor and outdoor installation. The connector is entirely protected by a watertight conductive envelope connected to earth.
- Continuous 630 A rms
- Overload 900 A rms (8 hours per 24-hour period).
- Operated when de-energized.

**CABLES**

- Single core polymeric insulation (PE, XLPE, EPR ...).
- Copper or aluminium conductors, solid or stranded.
- Semi-conducting screen either extruded or taped.
- Metallic screen of tape, wire or polylam type.
- Insulation voltage up to 18/30 (36) kV.
- Conductor sizes: up to 24 kV ➔ 35 to 300 mm<sup>2</sup>
- 36 kV ➔ 35 to 240 mm<sup>2</sup>

**STANDARDS**

- Generally meets the requirements of CENELEC HD 629.1 S2 – IEC 60502-4 – NF C 33-051 – NF C 33-001.
- Interfaces: CENELEC EN 50180 – EN 50181.
- Mechanical conductor contact: IEC 61238-1 class A, HN 68-S-91.

**INTERFACE  
C/630A****QUALITY ASSURANCE**

- The company has been assessed by third party to be in conformity with the requirements of the standard ISO 9001-EN 29001 version 2000.

**PACKING**

- Supplied as a kit of 3 single connectors containing all the necessary components.
- Shipping weight and volume (approx) of kit : 6 kg / 0,013 m<sup>3</sup>

**INSTALLATION FEATURES**

- No need for special tools, no heating, taping or filling.
- Vertical, angled or inverted position.
- No minimum distance between phases.
- Energizing may take place immediately after the connector is plugged into its bushing, dead-end plug ...
- An unplugged connector must not be energized.

**OTHER PRODUCTS**

- Associated products such as bushing FMBOs-400 and accessories.

**SEPARABLE TEE CONNECTOR (INTERFACE C/630A)**

For polymeric cables – Deadbreak operation – with mechanical conductor contact

**elascon**  
**EC**REFERENCE: **MSCT/EC-630-C****DESCRIPTION****Rep 1 Mechanical conductor contact Al/Cu 35/240 mm<sup>2</sup>.**

Only two conductor contacts cover the section from 35 mm<sup>2</sup> to 240 mm<sup>2</sup>.  
Copper or aluminium core.  
No need for special tools.

**Rep 2 M16 Clamping screw.**

Steel silver-plated component threaded at both ends for attachment of the mating items: bushing, insulating plug, accessories. A uniform contact pressure is maintained for any combination.

**Rep 3 Semi-conducting inner screen.**

Insert of semi-conducting **EPDM** enclosing the mechanical conductor contact connections so that ionization of the air remaining trapped inside is prevented.

**Rep 4 Semi-conducting outer envelope (thickness 3mm).**

Jacket made of semi-conducting **EPDM**. Its design provides relief of electrical stress as does a cable screen. Its connection to the cable screen ensures that the assembly is maintained at earth potential. It allows to evacuate the short-circuit currents.

**Rep 5 Insulating body.**

Moulded from insulating **EPDM**, for integral reconstitution of insulation. It maintains a uniform contact pressure on the cable insulation and on the bushing interface, providing an excellent moisture seal.

**Rep 6 Test point.**

Electrically protected by a cap made of semi-conducting **EPDM**. A capacitive voltage divider allows the checking of absence of voltage before removing the connector.

**Rep 7 Insulating plug**

Epoxy component with a threaded metal insert for attachment to the clamping screw

**Rep 8 Cap**

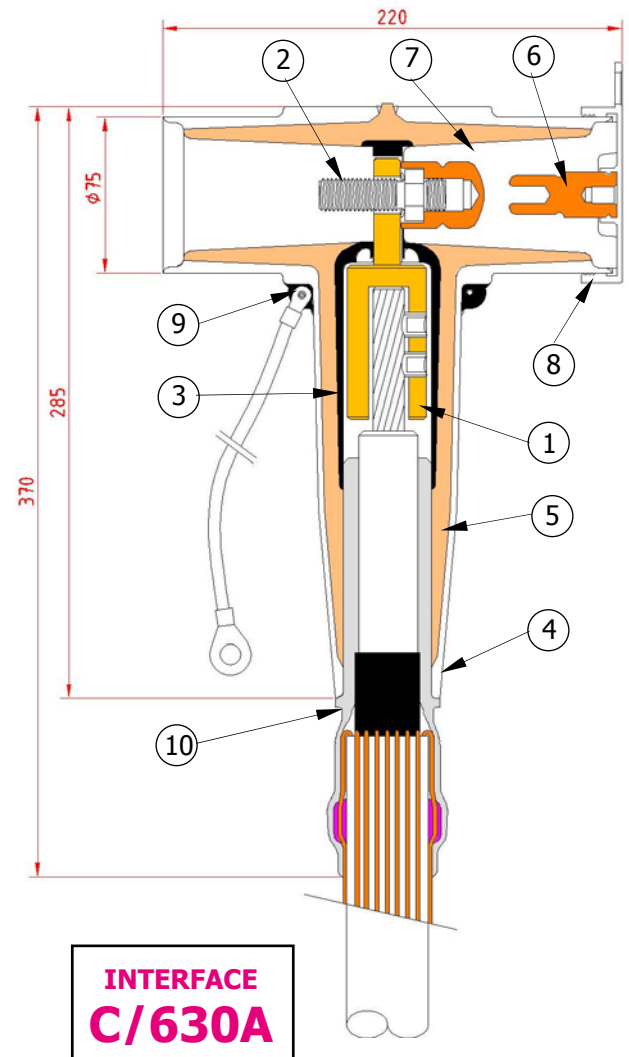
Moulded semi-conducting **EPDM**. Protects and earthes the test point during normal use.

**Rep 9 Earthing eye.**

For connection of the outer envelope to the metallic cable screen.

**Rep 10 Moulded high permittivity reducer.**

Adapt the connector body to the different cables insulations diameters.  
Ensures watertight protection of the earthing device and enables the cable screen test.



**100% of the separable connectors bodies are individually tested in factory**  
- Industrial power frequency  
and partial discharges -

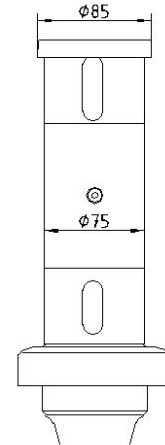
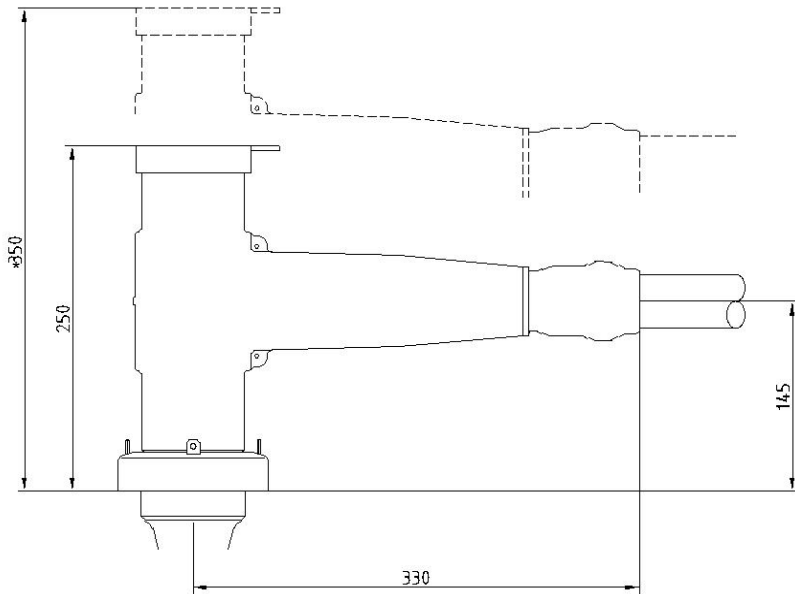
**SEPARABLE TEE CONNECTOR (INTERFACE C/630A)**  
 For polymeric cables – Deadbreak operation – with mechanical conductor contact



REFERENCE: **MSCT/EC-630-C**

**SELECTION GUIDE**

**Overall dimensions (installed on bushing) in mm**



(\*) Minimum dimension required for disconnection

1. Select in the table below the kit model corresponding to the diameter over cable insulation and to the insulation voltage  $U_m$  in kV.

**For cables with reduced insulation thickness or other cross-sections, please contact us.**

2. Select suitable earthing device in the table below.

Voltage	Diam. Over insulation in mm		Conductor size in mm <sup>2</sup> (for guidance only)		Kit reference
	Min.	Max.			
12 kV	13	22,3	25	120	MSCT/EC-630-C-12-rA-25/120
	16,1	26,3	95	240	MSCT/EC-630-C-12-rB-95/240
	22,7	33,0	185	300	MSCT/EC-630-C-12-rD-185/300
17 kV	13	22,3	25	70	MSCT/EC-630-C-17-rA-25/70
	16,1	26,3	35	120	MSCT/EC-630-C-17-rB-35/120
	20,2	30,8	95	240	MSCT/EC-630-C-17-rC-95/240
	25,6	35,3	185	300	MSCT/EC-630-C-17-rE-185/300
24 kV	16,1	26,3	25	150	MSCT/EC-630-C-24-rB-25/150
	16,1	26,3	70	185	MSCT/EC-630-C-24-rB-70/185
	20,2	30,8	95	240	MSCT/EC-630-C-24-rC-95/240
	22,7	33,0	95	240	MSCT/EC-630-C-24-rD-95/240
	25,6	35,3	185	300	MSCT/EC-630-C-24-rE-185/300
36 kV	20,2	30,8	25	95	MSCT/EC-630-C-36-rC-25/95
	22,7	33,1	35	120	MSCT/EC-630-C-36-rD-35/120
	25,6	35,3	70	240	MSCT/EC-630-C-36-rE-70/240

Earthing Device Reference	Type of Metallic Screen of Cable
T1	polylam
T2	Copper tape
T3	Copper wires

**EXAMPLE OF ORDER**

20 kV polymeric cable, 1x 50 mm<sup>2</sup>, diameter over insulation 21.5mm, with copper wire screen, aluminium conductor:

**MSCT/EC-630-C-24-rB-T3-25/150.**