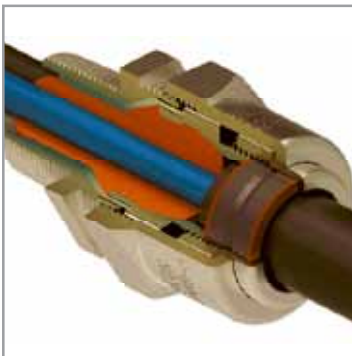


Barr-A

424BT Series



The Barr-A is an explosion proof gland suitable for tray cables which aids the control of migrating gases in hazardous and industrial areas.

Features and benefits:

- Fast, easy installation
- Large sealing range
- Space and weight savings
- Tested to UL and CSA standards
- UL Listed for Class 1, division 1 & 2 Applications
- Suitable for unarmoured tray cables - TC-ER-HL & TC-ER

NEW

**NOW
UL CLASS 1 DIV1
For
TC-ER-HL Cable**



Technical Information:

- Suitable for unarmored tray cables – category TC-ER-HL & TC-ER
- Brass construction with bright autocatalytic nickel coated hub
- Optional bright autocatalytic nickel coating of all brass parts. Add suffix "V" to reference

Connector listed as follows:

½" to 3 ½" CSA Class I groups ABCD, Class II Groups EFG, Class III

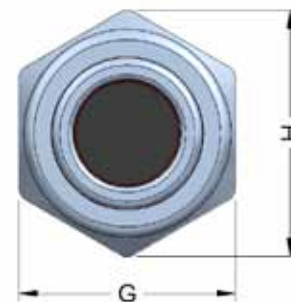
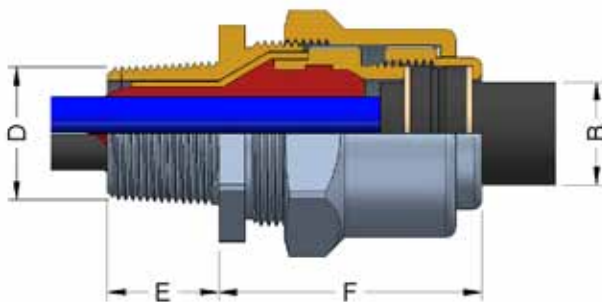
½ to 1 ½, UL Class I groups ABCD (Div 1) with TC-ER-HL cable (up to 1 inch); Class II Groups FG (Div 2), Class III

1 ¼" to 3 ½" UL Class I groups CD (Div 2); Class II Groups FG (Div 2), Class III

- Compound forms barrier around individual cores, so preventing migration of gases through the centre of the cable
- For use in most climatic conditions, rated to IP66 for wet locations
- For use with explosion proof equipment in Zone 1 and 2 hazardous areas and for Class I, Div 1 & 2 applications
- Equivalent European designs available: Approved to European & IECEx standards
- Full installation instructions supplied

Specifications

Gland Reference		Cable Dimensions Overall Ø (B)			Gland Dimensions				Weight
Design Reference		Hub Size NPT (D)	Min	Max	Hub Length (E)	Protrusion Length (F)	Hexagon		lbs
Standard	Nickel Plated						A/F (G)	A/C (H)	
424BT-02	424BT-02 V	½"	0.35"	0.62"	0.85"	1.85"	1.42"	1.57"	0.75
424BT-03	424BT-03 V	¾"	0.51"	0.76"	0.86"	1.96"	1.67"	1.89"	1
424BT-04	424BT-04 V	1"	0.67"	1.06"	1.07"	2.08"	1.86"	2.11"	1
424BT-05	424BT-05 V	1 ¼"	0.95"	1.26"	1.10"	2.16"	2.22"	2.42"	1.75
424BT-15	424BT-15 V	1 ½"	0.95"	1.26"	1.11"	2.16"	2.22"	2.42"	1.75
424BT-06	424BT-06 V	2"	1.14"	1.65"	1.15"	2.32"	2.76"	3.04"	2.75
424BT-07	424BT-07 V	2 ½"	1.61"	2.08"	1.70"	2.24"	3.15"	3.44"	3.5
424BT-08	424BT-08 V	3"	1.96"	2.42"	1.76"	2.83"	3.89"	4.30"	6.25
424BT-09	424BT-09 V	3 ½"	2.15"	2.91"	1.81"	2.91"	4.18"	4.50"	8.25



Nickel Plated Version Shown

Prysmian Cables & Systems Limited,
Oak Road, Wrexham Industrial Estate, Wrexham, LL13 9PH, UK

Commercial Enquiries,
Sales Office Tel: 0845 767 8345,
International Sales Office Tel: +44 2380 295481

www.biconcomponents.co.uk