

BM95M, 185M, 300M

BM95B, 185B, 300B

Straight and Branch LV Connectors

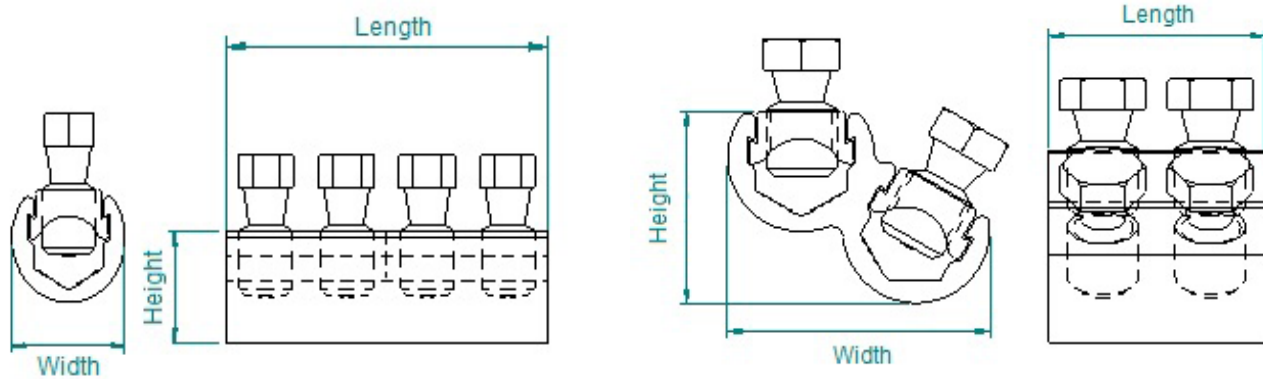


Application:

- LV Stranded Copper and Stranded Aluminium conductors 16- 300mm²
- LV Solid Aluminium conductors
- HV Cable Neutral screen wires
- LV & HV Cable Armours - Aluminium & Galv. Steel
- Can be used with all LV jointing technologies : Resin, Heatshrink & Cold shrink

Features and Benefits:

- Smooth outer profiles
- Grooved internal for enhanced electrical contact and mechanical strain resistance
- No special tools required
- Can be used for transitional applications
- Tested in accordance with IEC 61238



Technical Details:

Connector Type	LV Straight	LV Branch	LV Straight	LV Branch	LV Straight	LV Branch
Material Reference Number	8689601	8689901	8689701	8690001	8689801	8690101
Catalogue Number	BM95M	BM95B	BM185M	BM185B	BM300M	BM300B
Connector Material	Aluminium	Aluminium	Aluminium	Aluminium	Aluminium	Aluminium
Number of Conductor Screw/Bolts	4	4	4	4	4	4
Screw/Bolt Material	Aluminium	Aluminium	Aluminium	Aluminium	Aluminium	Aluminium
Hex AF	13mm	13mm	19mm	19mm	19mm	19mm
Shear Torque	17Nm	17Nm	48Nm	48Nm	60Nm	60Nm
Conductor Cross Section Range						
Solid Aluminium mm²	16-95	16-95	16-185	16-185	95-300	95-300
Stranded Aluminium mm²	16-95	16-95	16-185	16-185	95-300	95-300
Stranded Copper mm²	16-95	16-95	16-185	16-185	95-300	95-300
Dimensions						
Overall Length mm	80	40	110	55	110	55
Width mm	30	57	37.5	72	44	84
Height mm	26	40	31	49	36	57

*Technical Information subject to change without notice.

Accessories:

BMHOLDER - Connector brace for use on installation

Prysmian Cables & Systems Limited,
Oak Road, Wrexham Industrial Estate, Wrexham, LL13 9PH, UK

Commercial Enquiries,
Sales Office Tel: 0845 767 8345,
International Sales Office Tel: +44 2380 295481

www.biconcomponents.co.uk

BM-M/B/07/20