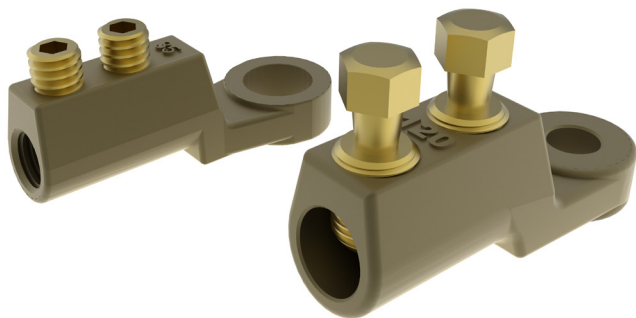


# BET 35, 60, 120

## Offset Palm Brass Lugs

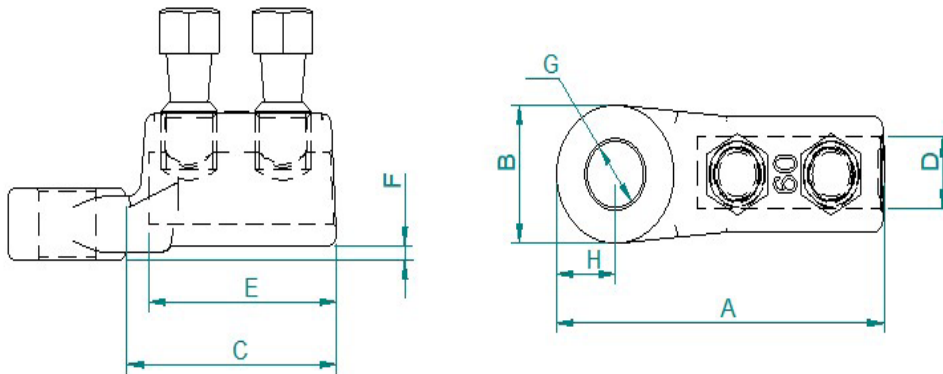


### Application:

- LV Copper and Aluminium conductors, 4- 120mm<sup>2</sup>
- HV Cable Neutral screen wires
- Indoor and Outdoor use
- Can be used with all Terminating technologies: Heatshrink & Cold shrink

### Features and Benefits:

- Brass construction providing good corrosion resistance
- Grooved internal bores for enhanced electrical contact and mechanical strain resistance
- Tested in accordance with IEC 61238



Dimensions	
A	Overall Length
B	Max Width
C	Barrel Length
D	Bore Diameter
E	Bore Depth
F	Palm Offset
G	Stud Clearance Hole
H	Stud Hole Position

## Technical Details:

Connector Type	Low voltage Brass Mechanical Lugs						
Material Reference Number	8705201	8700001	8700002	8700101	8700102		
Catalogue Number	BET35M12	BET60M12	BET60M16	BET120M12	BET120M16		
Connector Material	Brass						
Number of Conductor Screws/Bolts	2	2	2	2	2		
Screw/Bolt Material	Brass						
Allen Key	4mm						
Recommended Torque	6Nm						
Hex AF		13mm	13mm	13mm	13mm		
Shear Torque		20Nm	20Nm	27Nm	27Nm		
Hole size to suit stud diameter	12mm	12mm	16mm	12mm	16mm		
<b>Conductor Cross Section Range</b>							
Solid Aluminium	mm <sup>2</sup>	10-50	50-95	50-95	70-150	70-150	
Stranded Aluminium	mm <sup>2</sup>	4-35	35-70	35-70	50-120	50-120	
Stranded Copper	mm <sup>2</sup>	4-35	35-70	35-70	50-120	50-120	
Stranded Flexible Copper	mm <sup>2</sup>	4-35	25-50	25-50	35-95	35-95	
<b>Dimensions</b>							
Overall Length	A	mm	60	73	73	87	87
Max Width	B	mm	20	25	25	28	28
Barrel Length	C	mm	35	48	48	53	53
Bore Diameter	D	mm	M10	13	13	17	17
Bore Depth	E	mm	27	37	37	45	45
Palm Offset	F	mm	2.5	2.5	2.5	2.5	2.5
Stud Clearance hole	G	mm	12.7	12.7	16.7	12.7	16.7
Stud Hole Position	H	mm	10	12.5	12.5	14	14
Weight (Each)			62g	191g	189g	293g	291g
Shipping Quantity (min)	Pieces		100	25	25	25	25
Test Standard					IEC 61238		

\*Technical Information subject to change without notice.

**Prysmian Cables & Systems Limited,**  
Oak Road, Wrexham Industrial Estate, Wrexham, LL13 9PH, UK

**Commercial Enquiries,**  
Sales Office Tel: 0845 767 8345,  
International Sales Office Tel: +44 2380 295481

[www.biconcomponents.co.uk](http://www.biconcomponents.co.uk)

BET/08/20