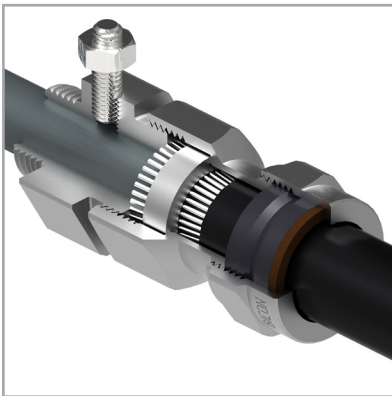


# CW-AL Integral Earth Gland Kit

## 454CE Series



Featuring a three part armour lock the CW-Aluminium is for AWA cables whilst enabling inspection of electrical continuity.

### Features and benefits:

- Aluminium indoor & outdoor gland and accessories
- For Aluminium-wire armour, plastic or rubber sheathed cables
- Suitable for most climatic conditions, weatherproof and waterproof
- Three part armour lock with separate armour locking ring, ideal for checking electrical continuity
- No risk of Bi-metallic corrosion when clamping Aluminium armours

#### Kit comprises

CW-A Integral Earth Gland  
Aluminium Locknut

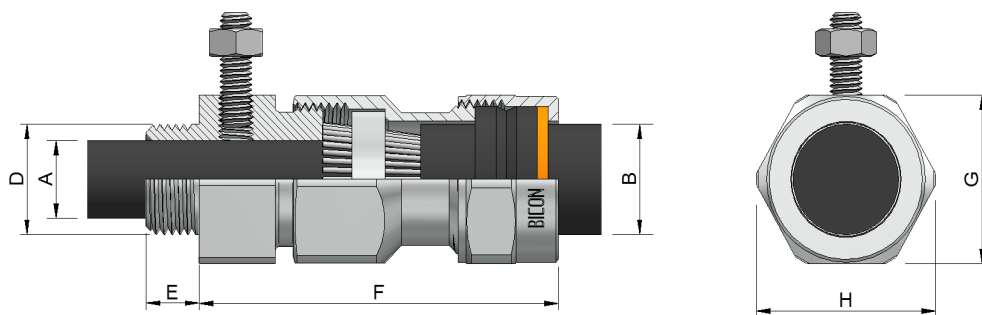


## Technical Information:

- Suitable for use with all Aluminium Wire Armoured Cables inc : BS 5467 , BS 6622 , BS 5308
- Constructed using 6082-T6 Aluminium alloy
- Complies with BS EN 50262 & BS 6121-1: 1989
- Integral earth connection complies with GDCD 190 Category A - (43.3kA for 1 second)
- Gland rated to IP66 with use of suitable sealing washer or thread sealant at gland interface
- Service temperature range -20°C to + 90°C
- Integral Earth connection using an M10 or M12 fixing

## Specifications:

Gland Kit Reference		Cable Dimensions mm					Gland Dimensions mm					
Design Reference	Size	Qty per Kit	Under Armour Max Ø (A)	Overall Ø (B)		Armour Wire Ø	Entry Thread (D)	Thread Length ( E )	Protrusion Length (F)	Hexagon		
				Min	Max					A/F (G)	A/C (H)	
454CE-52	20s	1	11.6	8.0	15.8	0.9/1.25	M20x1.5	10	56	30.5	34.0	
454CE-53	20	1	13.9	12.5	20.8	0.9/1.25	M20x1.5	10	56	37.6	42.2	
454CE-55	25	1	19.9	17.0	27.2	1.25/1.6	M25x1.5	10	63	42.4	48.0	
454CE-56	32	1	26.2	23.5	33.5	1.6/2.0	M32x1.5	10	73	56.4	61.5	
454CE-57	40	1	32.1	29.0	39.9	1.6/2.0	M40x1.5	15	77	56.4	61.5	
454CE-59	50	1	44.0	39.5	52.6	2.0/2.5	M50x1.5	15	84	70.1	77.2	
454CE-61	63	1	55.9	51.3	65.3	2.5	M63x1.5	15	84	90.2	99.1	
454CE-63	75	1	67.9	62.5	78.0	2.5	M75x1.5	15	94	106.0	117.0	



**Prysmian Cables & Systems Limited,**  
Oak Road, Wrexham Industrial Estate, Wrexham, LL13 9PH, UK

**Commercial Enquiries,**  
Sales Office Tel: 0845 767 8345,  
International Sales Office Tel: +44 2380 295481

[www.biconcomponents.co.uk](http://www.biconcomponents.co.uk)