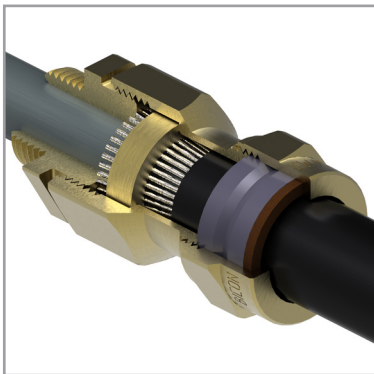


CW LSOH Gland Kit

422LSF Series



The only industrial cable gland designed for use with LSOH and fire performance cables with LUL approval.

Features and benefits:

- Indoor & outdoor type for LSOH SWA cable
- Brass Indoor & outdoor gland and LSOH accessories
- For galvanized-steel single-wire armour, plastic or rubber LSOH sheathed cables
- Suitable for most climatic conditions, weatherproof and waterproof
- Three part armour lock with separate armour locking ring, ideal for checking electrical continuity

Kit comprises

CW (LSOH) Gland
Brass earth tag
Brass Locknut
LSOH Shroud
(2 per kit up to and including 25mm size)

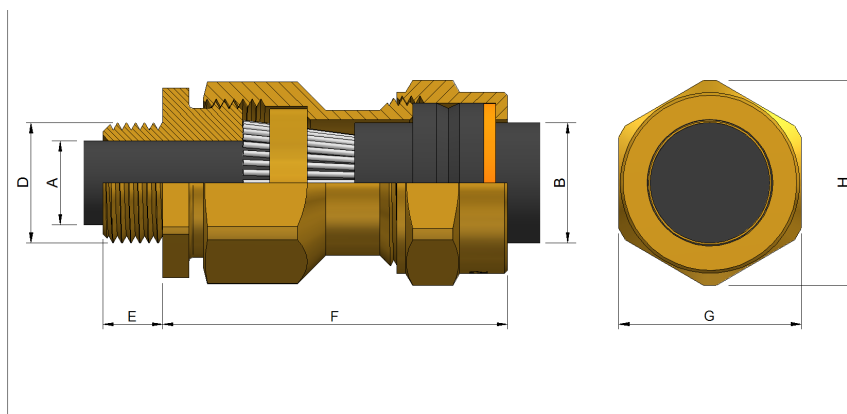


Technical Information:

- Suitable for use with all Steel Wire Armoured Cables inc: BS 6724, BS 8519, BS 7846, BS 6387, BS 7835
- CuZn39Pb3 brass alloy used for guaranteed strength and performance
- Complies with BS EN 50262 & BS 6121-1: 1989
- Gland rated to IP66 with use of suitable sealing washer or thread sealant at gland interface
- Service temperature range -20°C to + 90°C
- Complies with LU Standard 1-085 for installation in all sub surface locations
- LUL APR Product ID 1969
- Nickel Plated and standard versions available

Specifications

Gland Kit Reference		Cable Dimensions mm						Gland Dimensions mm				
Design Reference		Size	Qty per Kit	Under Armour Max ϕ (A)	Overall ϕ (A)		Armour Wire ϕ	Entry Thread (D)	Thread Length (E)	Protrusion Length (F)	Hexagon	
Standard	Nickel Plated				Min	Max					A/F (G)	A/C (H)
422LSF-51	422LSF-51V	16	2	8.6	8.0	13.2	0.9	M16x1.5	10	44	20.8	23.8
422LSF-71	422LSF-71V	20ss	2	8.6	8.0	13.2	0.9	M20x1.5	10	44	23.4	26.7
422LSF-52	422LSF-52V	20s	2	11.6	8.0	15.8	0.9	M20x1.5	10	46	25.7	29.2
422LSF-53	422LSF-53V	20	2	13.9	12.5	20.8	0.9/1.25	M20x1.5	10	46	30.5	34
422LSF-55	422LSF-55V	25	2	19.9	17.0	27.2	1.25/1.6	M25x1.5	10	51	37.6	42.2
422LSF-56	422LSF-56V	32	1	26.2	23.5	33.5	1.6/2.0	M32x1.5	10	56	47.3	53.6
422LSF-57	422LSF-57V	40	1	32.1	29.0	39.9	1.6/2.0	M40x1.5	15	59	56.4	61.5
422LSF-58	422LSF-58V	50s	1	38.1	38.0	46.2	2.0/2.5	M50x1.5	15	64	65.5	72.1
422LSF-59	422LSF-59V	50	1	44.0	39.5	52.6	2.0/2.5	M50x1.5	15	64	70.1	77.2
422LSF-61	422LSF-61V	63	1	55.9	51.3	65.3	2.5	M63x1.5	15	67	80	87.4
422LSF-63	422LSF-63V	75	1	67.9	62.5	78.0	2.5	M75x1.5	15	76	98.8	109.2
422LSF-64	422LSF-64V	85	1	74	68	88	3.15	M85x2.0	20	110	115	126



Prysmian Cables & Systems Limited,
Oak Road, Wrexham Industrial Estate, Wrexham, LL13 9PH, UK

Commercial Enquiries,
Sales Office Tel: 0845 767 8345,
International Sales Office Tel: +44 2380 295481

www.biconcomponents.co.uk

