

# Nylon Cable Gland

## 403K Series



The nylon cable gland is suitable for use with Circular Unarmoured Cables

### Features and benefits:

- Suitable for indoor and outdoor applications
- Suitable for use with all unarmoured circular cables
- "Cable Grab Claw" design - to grip cable firmly
- Available in four colours: black, red, white and grey
- Supplied with locknut & integral entry thread seal

### Kit comprises:

Nylon Gland  
Nylon lock nut



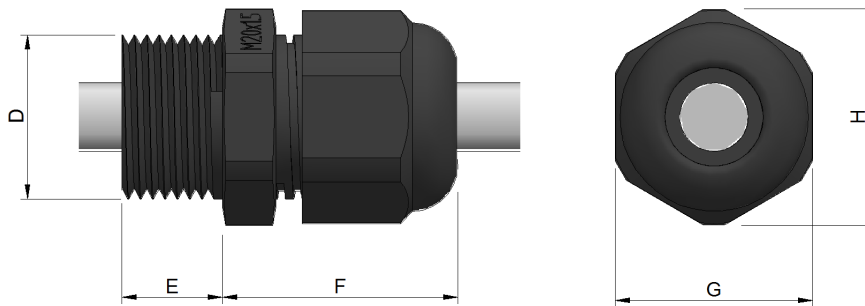
## Technical Information:

Complies with BS EN 50262

IP 68 rated

Material: UL approved nylon 66 94V-2

## Specifications



Gland Kit Reference			Cable Dimensions mm		Gland Dimensions mm				
Design Reference	Size	Qty per Kit	Cable Diameter $\phi$ (A)		Entry Thread (D)	Entry Thread (E)	Entry Thread (F)	Hexagon	
			Min	Max				A/F (G)	A/C (H)
403K*51	16	10	5	10	M16x1.5	10	29	22	24
403K*52	20s	10	6	12	M20x1.5	12	30	24	26.5
403K*53	20	10	10	14	M20x1.5	12	31	27	29
403K*55	25	10	13	18	M25x1.5	12	34	33	36
403K*56	32	10	18	25	M32x1.5	15	40	42	46.5

Replace \* to specify colour : B=Black , W=White , R=Red , G=Grey

**Prysmian Cables & Systems Limited,**  
Oak Road, Wrexham Industrial Estate, Wrexham, LL13 9PH, UK

**Commercial Enquiries,**  
Sales Office Tel: 0845 767 8345,  
International Sales Office Tel: +44 2380 295481

[www.biconcomponents.co.uk](http://www.biconcomponents.co.uk)