

Orbit Cleat 379 Series



The 379 series should be used when you need the best level of protection in harsh environments under the highest fault conditions.

Features and benefits

- Suitable for use with cable diameters 30 to 150mm.
- Single or double bolt fixing with reversible base for range taking.
- Ergonomic design allows easy installation, with single tool tightening from the top side.
- Manufactured from non-magnetic, corrosion resistant 316L stainless steel.
- Liners are made from LSOH materials.
- Suitable for use with single and multicore cables with high fault current requirements.
- Suitable for standard and LSOH cable sheaths.
- Can be used with all standard ladder and tray systems.
- Tested in accordance with BS EN 61914 (IEC 61914).

Performance Data

BS EN 61914	Clause	Classification		Clause	Classification
Type	6.1.3	Composite	Axial Load	6.4.3	0.24kN
Operating Temperature	6.2	-60°C to +60°C	Resistant to Corrosion	6.5.2.2	High, Outdoor - wet conditions
Impact Resistance	6.3.5	Very Heavy	Resistant to ultraviolet light	6.5.1.2	Pass
Lateral Load	6.4.3	Orientation 2a: 14.5kN Orientation 2a: 14.5kN			

BS EN 61914:2016 (IEC 61914:2015)	Clause	Classification
Resistant to electromechanical forces, withstanding more than one short circuit	6.4.5	77.3kA RMS, 170kA Peak, Cable spacing = 125mm, Cleat spacing = 600mm cable Ø = 66mm,

* Technical Information subject to change without notice

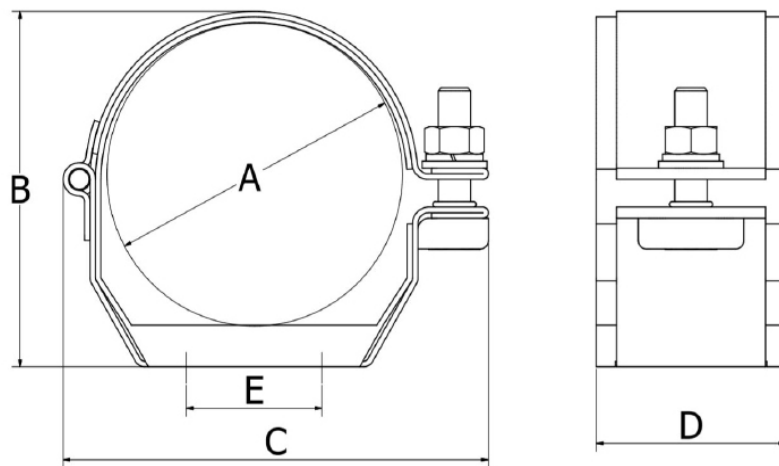


Technical Data

Cleat Selection			Cleat Details				Weight (g)
Design Number	Cable Diameter		Dimensions (mm)				
	A (mm)		B	C	D	E	
	Min	Max					
379SC01	30	40	65	86	70	Centre hole only	435
379SC02	38	46	71	92	70	Centre hole only	467
379SC03	45	53	78	99	70	Centre hole only	499
379SC04	52	60	85	106	70	25	530
379SC05	59	67	92	113	70	25	526
379SC06	66	74	99	120	70	25	558
379SC07	72	82	111	132	70	25	639
379SC08	82	92	120	141	70	25	683
379SC09	92	103	130	151	70	50	737
379SC10	103	113	139	160	70	50	784
379SC11	113	123	148	169	70	50	764
379SC12	122	132	157	178	70	50	865
379SC13	131	141	156	177	70	50	908
379SC14	140	150	175	196	70	75	950

* Technical Information subject to change without notice

All cleats have a single central fixing hole for a 12mm diameter fixing bolt. Styles 04 to 14 can also be fixed with 2 x 10mm bolts - the 10mm clearance holes are positioned either side of the central hole with centres as per dimension E.



Prysmian Cables & Systems Limited,
Oak Road, Wrexham Industrial Estate, Wrexham, LL13 9PH, UK

Commercial Enquiries,
Sales Office Tel: 0845 767 8345,
International Sales Office Tel: +44 2380 295481

www.biconcomponents.co.uk