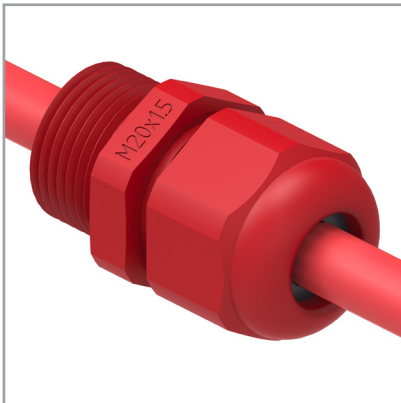


Nylon Cable Gland

FP2520



The nylon cable gland is the optimum choice for fire alarm cables.

Features and benefits:

- Suitable for indoor and outdoor applications
- Suitable for use with all Fire Alarm Cables
- "Cable Grab Claw," design - to grip cable firmly
- Compressible entry thread seals moulded into gland body
- Available in two colours: Red and White
- Supplied complete with locknut

Kit comprises

Nylon Gland
Nylon Lock Nut



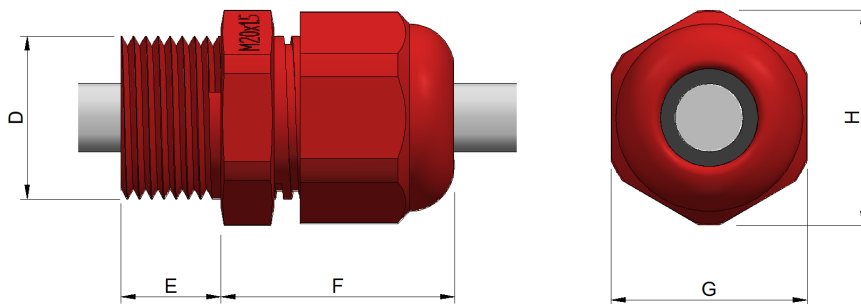
Technical Information:

- Complies with BS EN 50262
- IP 68 rated
- Material: Flame Retardent Nylon

Specifications:

Gland Kit Reference			Cable Dimensions mm		Gland Dimensions mm				
Design Reference	Size	Qty per Kit	Cable Diameter ϕ mm		Entry Thread (D)	Thread Length (E)	Protrusion Length (F)	Hexagon	
			Min	Max				A/F (G)	A/C (H)
403P*52	20	100	6	12	M20x1.5	12	30	24	26.5

Replace * to specify colour: R=Red, W=White



Prysmian Cables & Systems Limited,
Oak Road, Wrexham Industrial Estate, Wrexham, LL13 9PH, UK

Commercial Enquiries,
Sales Office Tel: 0845 767 8345,
International Sales Office Tel: +44 2380 295481

www.biconcomponents.co.uk

